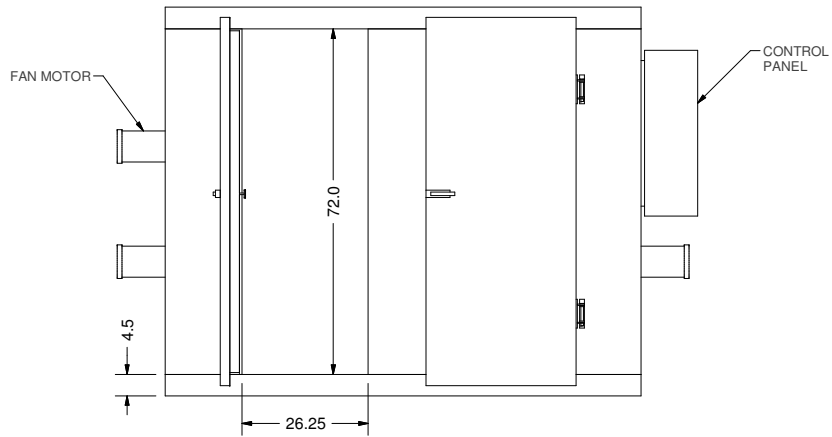
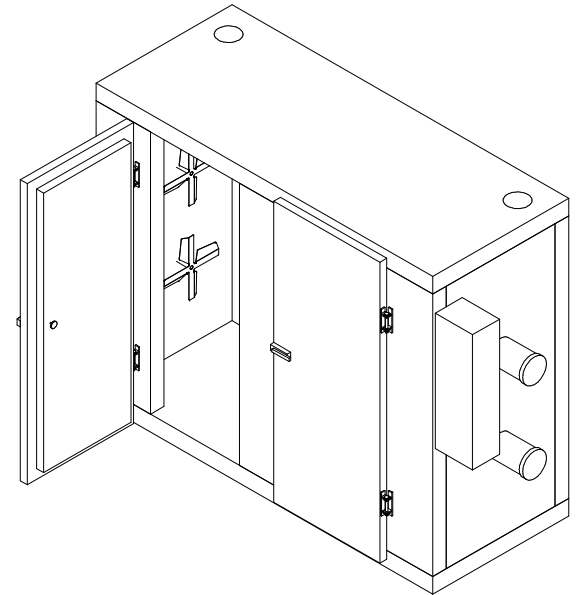
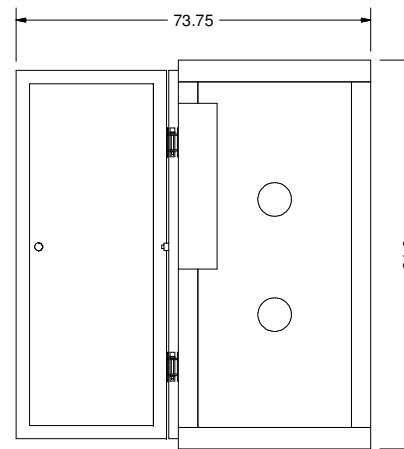


TOP VIEW



FRONT VIEW



SIDE VIEW

NOTE: EXHAUST AND CO2 PLUMBING NOT SHOWN  
DIMENSIONS SHOWN FOR OVERVIEW ONLY.

ELEC REQ. 230V, 3PH, 60Hz, 10AMP  
NEMA4 ELECTRICAL PANEL

304 STAINLESS STEEL CONSTRUCTION

GENERAL NOTES:  
1. UNLESS OTHERWISE SPECIFIED ALL DIMENSIONS ARE  
IN INCHES.  
2. DO NOT SCALE DRAWING.

NOTICE: This drawing is the property of FREEZING  
SYSTEMS & SERVICE INC. and is loaned subject to the  
condition that it shall not be reproduced, copied, loaned or  
submitted to outside parties without our consent.

DESCRIPTION:  
CABINET FREEZER - DOUBLE DOOR SPLIT  
COMPARTMENT

PROJECT:  
CF-100

3D MODEL BY: RCJ  
3D MODEL DATE: 3/23/2009  
.IDW BY: RCJ  
.IDW DATE: 3/23/2009  
ENGINEER: RCJ  
SCALE: \_\_\_\_\_

|  |  |               |      |
|--|--|---------------|------|
|                           |  | PART NUMBER   |      |
|  |  | CF-26X32-2    |      |
| 107 FREYER ROAD<br>MICHIGAN CITY IN 46350<br>PH: (219) 879-6236 FAX: (219) 879-6257<br>www.freezingsystems.net |  | SHEET: 1 of 1 |      |
| MATERIAL:  |  | DWG. SIZE     | REV. |
| TOL: ± _____   |  | 3             |      |